

Mechanical 2x2 Full Optical Switch

Features

- ◆ Compact size
- ◆ Low Insertion Loss
- ◆ Low WDL
- ◆ High Reliability
- ◆ Epoxy Free Optical Path
- ◆ Compliance with RoHS

Applications

- ◆ Optical Line Protection
- ◆ Back up Switching
- ◆ Monitoring System
- ◆ OADM
- ◆ Optical Signal Routing

Specification

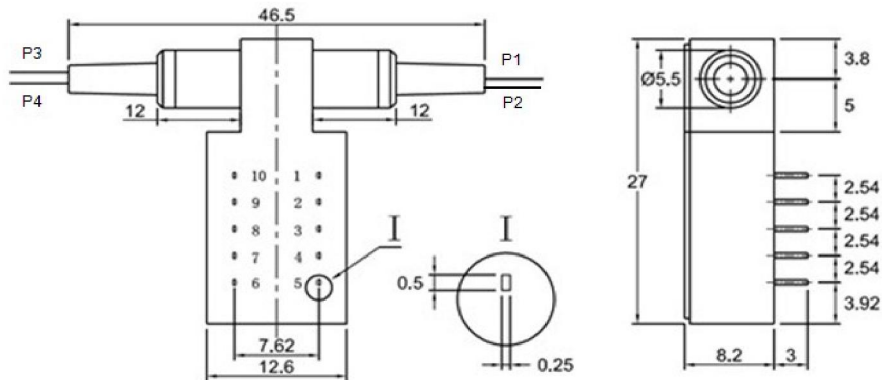
| Parameters | Value | Unit |
|-----------------------------|-------------------------|------|
| Operation Wavelength | 1260~1610 | nm |
| Test Wavelength | 1310/1550 | nm |
| Insertion Loss | 1.0 | dB |
| Wavelength Dependent Loss | <0.25 | dB |
| Polarization Dependent Loss | <0.2 | dB |
| Temperature Dependent Loss | <0.2 | dB |
| Return Loss | >50 | dB |
| Cross Talk | >50 | dB |
| Switch time | <8 | ms |
| Fiber Type | Corning SMF-28 | |
| Operation Temperature | 0~70 | °C |
| Storage Temperature | -40~85 | °C |
| Switch Operating Voltage | 5 | V |
| Optical Power | <300 | mW |
| Switch Type | Latching / Non-latching | |
| Dimensions | L27xW12.6xH8.2 | mm |
| Operating Temperature (°C) | -5~75 | °C |
| Storage Temperature (°C) | -40~85 | °C |
| Connector loss not included | | |

Optical Path



Pin Configuration

| 2x2 Full | State | Optical path | Electric Drive | | | | Status Sensor | | | |
|--------------|-------|--------------|----------------|-------|-------|--------|---------------|---------|---------|---------|
| | | | Pin 1 | Pin 5 | Pin 6 | Pin 10 | Pin 2-3 | Pin 3-4 | Pin 7-8 | Pin 8-9 |
| Latching | A | P1-P4, P2-P3 | V+ | GND | / | / | Open | Close | Close | Open |
| | B | P1-P2, P3-P4 | / | / | GND | V+ | Close | Open | Open | Close |
| Non-latching | A | P1-P4, P2-P3 | V+ | / | / | GND | Open | Close | Close | Open |
| | B | P1-P2, P3-P4 | / | / | / | / | Close | Open | Open | Close |



Ordering Information

| GLSW | Type | Switching Mode | Wavelength | Cable type | Cable length | Connector | |
|------------------------------|----------------|----------------|----------------------|------------------------|--------------|------------------------------------|--------|
| | | | | | | input | output |
| GB-Link Optical Switch | 101=1x1 | L=Latching | 13=1310nm | B=250um bear fiber | 03=0.3m | 0=No connector | |
| | 102=1x2 | N=Non-latching | 15=1550nm | | 05=0.5m | 1=SC/APC | |
| | 104=1x4 | | | 09=0.9mm loose tube | 10=1m | 2=SC/UPC | |
| | 202=2x2 | | 1315=1310& 1550nm | | 15=1.5m | 3=LC/APC | |
| | 202=2X2 | | | | 20=2m | 4=LC/UPC | |
| | 22B=2x2 Bypass | | | | | 5=FC/APC | |
| | 12D=Dual 1x2 | | | | | 6=FC/UPC | |
| | 22D=Dual 2x2 | | | | | ST=ST connector MU=MU connector | |

F/2,D Building, Fuxin Industrial Area, 3rd Yangxia Street, Shajin Town, Shenzhen, China

Tel:86-755-27683696

Fax:86-755-36652839

[Http://www.GB-Link.com](http://www.GB-Link.com)